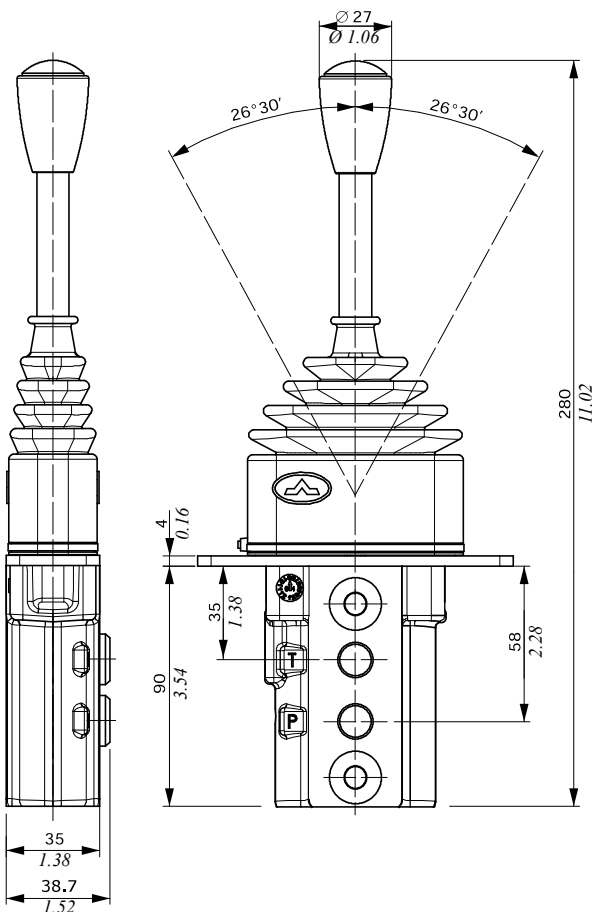
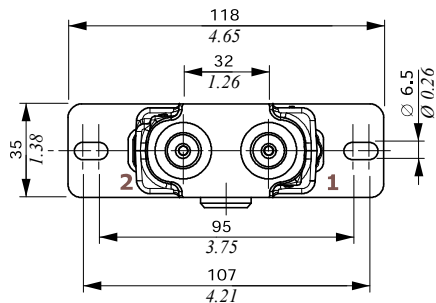
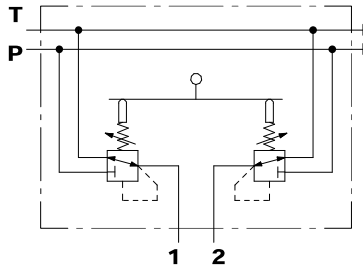


Dimensions and hydraulic circuit

Single acting version

Single function configuration with side P and T ports.

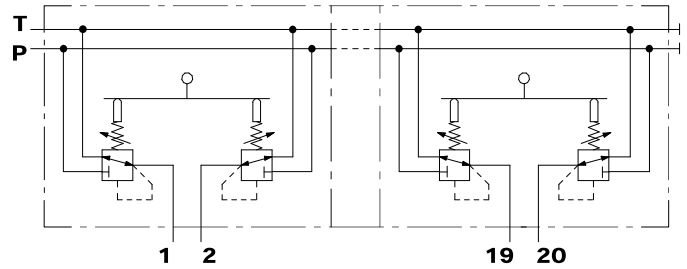
Hydraulic circuit



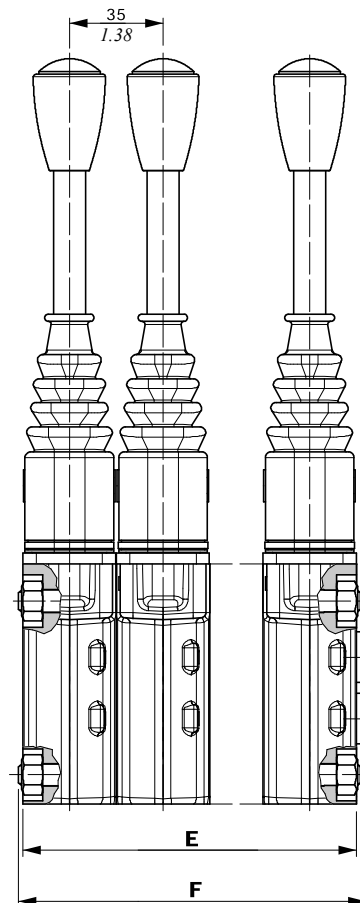
SVM100/n version

Multiple function configuration with side P and T ports.

Hydraulic circuit



TYPE	E		F		TYPE	E		F	
	mm	in	mm	in		mm	in	mm	in
SVM100/2	70	2.76	75.2	2.96	SVM100/7	245	9.65	250.2	9.85
SVM100/3	105	4.13	110.2	4.34	SVM100/8	280	11.02	285.2	11.23
SVM100/4	140	5.51	145.2	5.72	SVM100/9	315	12.40	320.2	12.61
SVM100/5	175	6.89	180.2	7.09	SVM100/10	350	13.78	355.2	13.98
SVM100/6	210	8.27	215.2	8.27					

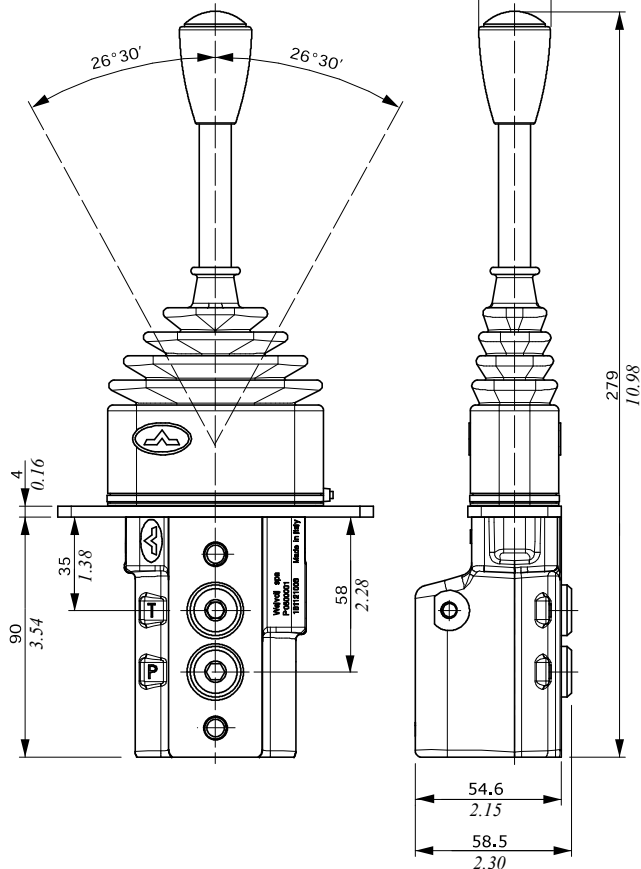
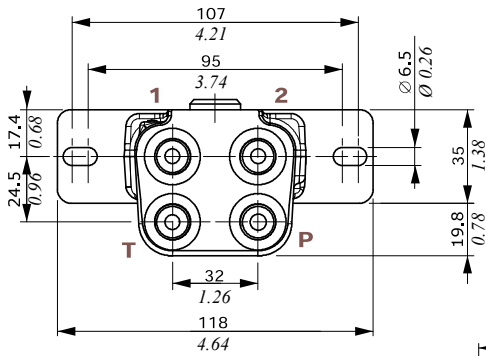
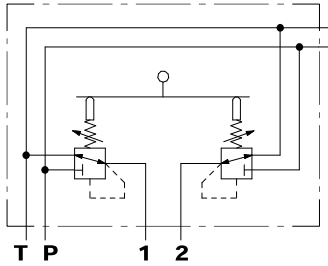


Dimensions and hydraulic circuit

SVM101 version

Single function configuration with bottom P and T ports.

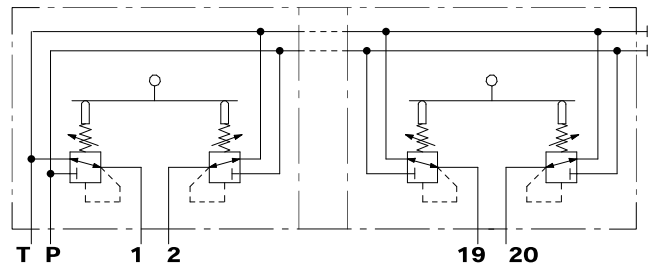
Hydraulic circuit



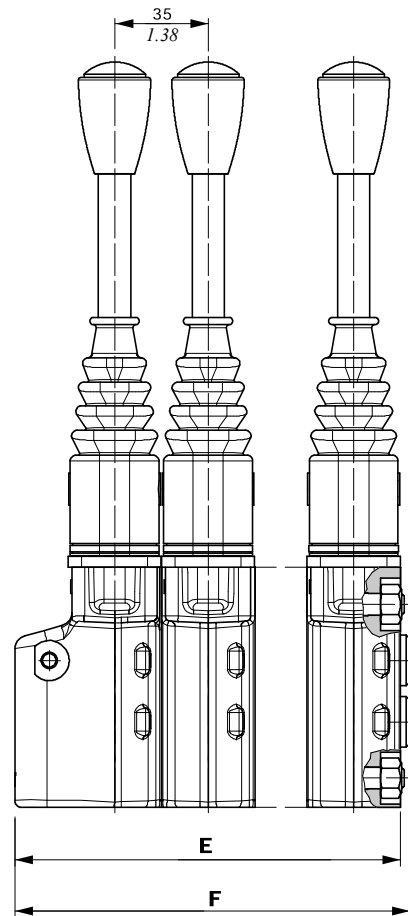
SVM101/n version

Multiple function configuration with bottom P and T ports.

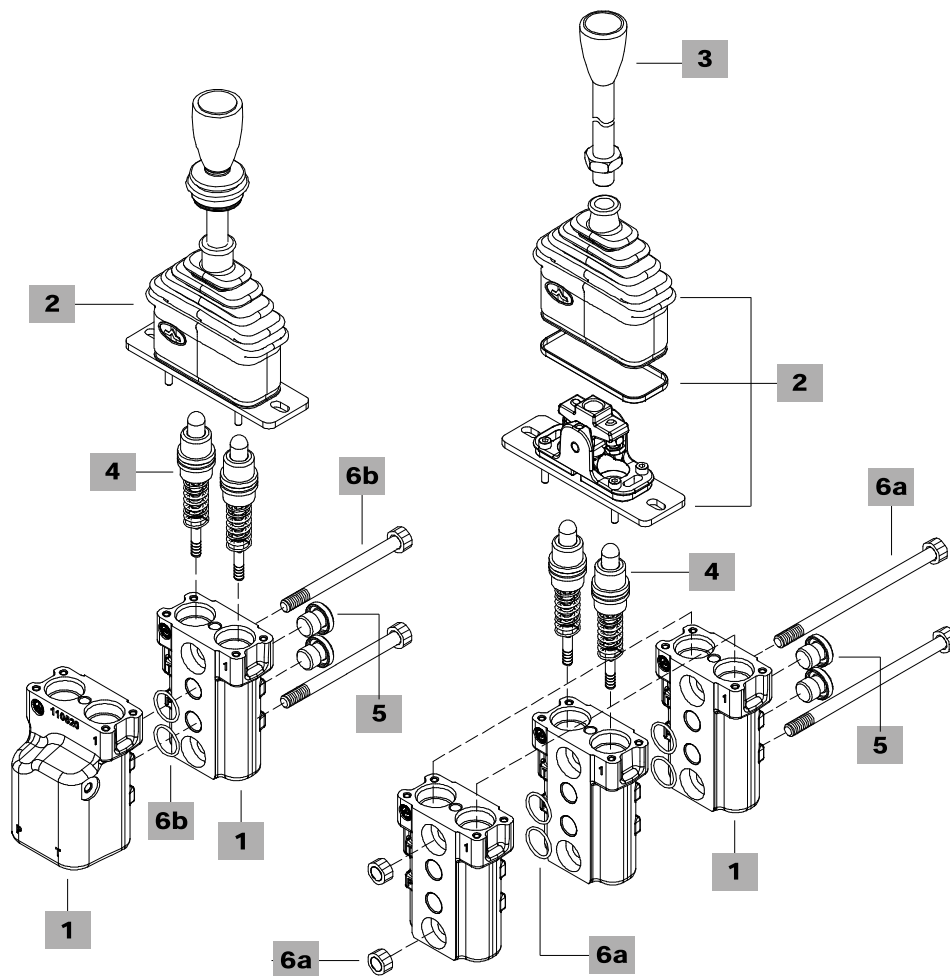
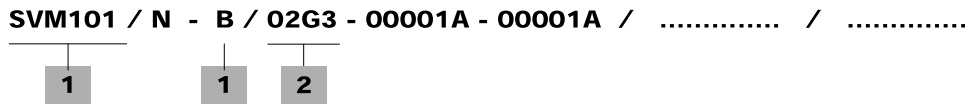
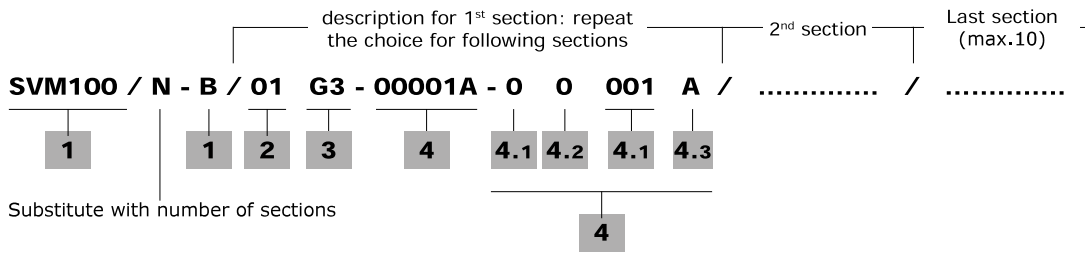
Hydraulic circuit



TYPE	E		F		TYPE	E		F	
	mm	in	mm	in		mm	in	mm	in
SVM101/2	89.6	3.53	93.3	3.67	SVM101/7	264.6	10.42	268.3	10.56
SVM101/3	124.6	4.91	128.3	5.05	SVM101/8	299.6	11.79	303.3	11.94
SVM101/4	159.6	6.28	163.3	6.43	SVM101/9	334.6	13.17	338.3	13.32
SVM101/5	194.6	7.66	198.3	7.81	SVM101/10	369.6	14.55	373.3	14.70
SVM101/6	229.6	9.04	233.3	9.18					



Ordering codes



1 Body kit *

TYPE	CODE	DESCRIPTION
SVM100-B	3CO3122300	With side P and T ports
SVM101-B	3CO3122310	With bottom P and T ports

2 Control option

Complete with rubber bellow and fixing wrapper

TYPE	CODE	DESCRIPTION
Without handlever (for standard handlever see 3)		
01	5CIN101000	Spring return to neutral position
03S	5CIN103008	With friction and neutral sensing, for 10, V, H, P and S series handles
05	5CIN105000	With detent in pos. 1 and spring return in neutral position
06	5CIN106000	With detent in pos. 2 and spring return in neutral position
07	5CIN107000	With detent in pos. 1 and 2; spring return in neutral position

Controls with handlevers

For assembling reasons, the under listed control kits must be supplied complete with handle. Please contact our Sales Department for use with different handles.

02G3	5CIN102000	With detent in neutral position, spring return in neutral position and type G knob; can not be used on two adjacent sections
03G3	5CIN103000	With friction and neutral sensing, G knob
03E3	5CIN103005	As previous, E knob, 15° bending rod
03JL3	5CIN103004	As previous, L knob with version microswitch
10G3	5CIN110000	With friction and detent in neutral, G knob; can not be used on two adjacent sections
11G3	5CIN111000	Detent in 3 positions, G knob; can not be used on two adjacent sections
16G3	5CIN116000	With operation microswitch (NO), neutral sensing, spring return in neutral position, G knob
20G3	5CIN120000	Detent in position 1 and 2, friction, neutral sensing, G knob
22G3	5CIN122000	With operation microswitch (NO), friction, G knob

3 Standard handlevers

The pilot control valve is fitted with G3 handlever (less switches). Here below are listed the available handlevers configurations.

TYPE	CODE	DESCRIPTION
Without switch:		
G3	5AST271218G	Ogival with portlight, straight rod (Standard)
G3(15)	5AST371227G	Ogival with portlight, 15° bending rod
G3(30)	5AST371228G	Ogival with portlight, 30° bending rod
E	5AST371214E	Spherical with portlight, 15° bending rod

With switch:

CAUTION: Not available with pilot control valve type 07-16-20-22

TYPE	CODE	DESCRIPTION
JJ3	5AST271218J	With spring return push-button switch
JM3	5AST271218M	With 3 pos. detent rocker switch

For J handle specifications see the "handles and handlevers" catalogue

4 Pressure control curves

For list available see from page 25

4.1 Curve type

TYPE	DESCRIPTION
0	Standard

4.2 Typology of curves

TYPE	DESCRIPTION
0	With step
1	Without step
2	Piecewise with step
3	Piecewise without step

4.3 Curve identification

Progressive number, see tables from page 25

4.4 Return springs

TYPE	DESCRIPTION
M	Operation range from 18 to 25.5 N - <i>from 4.04 to 5.73 lbf</i>
A	Operation range from 23 to 35.2 N - <i>from 5.17 to 7.91 lbf</i>
B	Operation range from 23 to 68.1 N - <i>from 5.17 to 15.31 lbf</i>
C	Operation range from 89 to 176 N - <i>from 20 to 39.56 lbf</i>
D	Operation range from 110 to 220 N - <i>from 24.73 to 49.46 lbf</i>
E	Operation range from 138 to 276 N - <i>from 31 to 62.04 lbf</i>

5 Closing plugs *

CODE	DESCRIPTION
3XTAP719150	G1/4 plug for upper ports (n. 2 plugs)

6a Assembling kit for SVM100

Only for SVM100/2 or higher: this kit contains tie rods, nuts and O-ring seal.

CODE	DESCRIPTION
5TIR108073	Assembling kit for SVM100/2
5TIR108108	Assembling kit for SVM100/3
5TIR108143	Assembling kit for SVM100/4
5TIR108178	Assembling kit for SVM100/5
5TIR108213	Assembling kit for SVM100/6
5TIR108248	Assembling kit for SVM100/7
5TIR108283	Assembling kit for SVM100/8
5TIR108319	Assembling kit for SVM100/9
5TIR108353	Assembling kit for SVM100/10

6b Assembling kit for SVM101

Only for SVM101/2 or higher: this kit contains tie rods, nuts and O-ring seal.

CODE	DESCRIPTION
5TIR108050	Assembling kit for SVM101/2
5TIR108085	Assembling kit for SVM101/3
5TIR108122	Assembling kit for SVM101/4
5TIR108156	Assembling kit for SVM101/5
5TIR108190	Assembling kit for SVM101/6
5TIR108225	Assembling kit for SVM101/7
5TIR108261	Assembling kit for SVM101/8
5TIR108295	Assembling kit for SVM101/9
5TIR108330	Assembling kit for SVM101/10

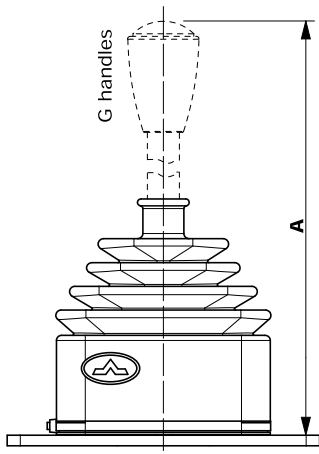
NOTE (*) – Codes are referred to **BSP** thread.

Configuration option

Controls without hand levers

Controls type

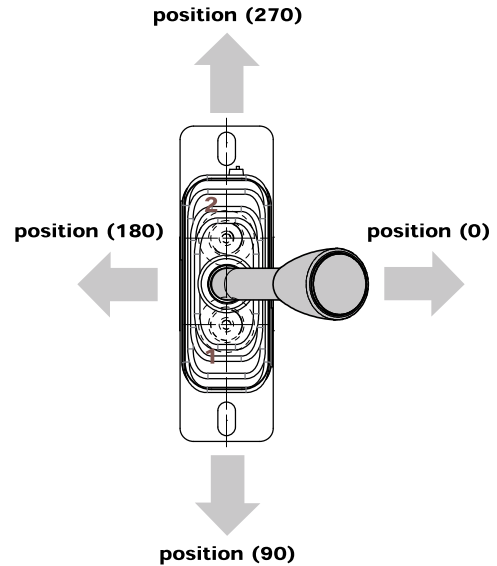
- 01:** Spring return to neutral position
- 05:** With detent in pos. 1 and spring return in neutral position
- 06:** With detent in pos. 2 and spring return in neutral position
- 07:** With detent in pos. 1 and 2; spring return in neutral position



handlever type	A	
	mm	in
G3 straight rod	186	7.32
G3 15° bending rod	184	7.24
G3 30° bending rod	176	6.93
E 15° bending rod	186	7.32
JJ3 straight rod	190	7.48

Controls type

- 03S:** With friction and neutral sensing, for 10, V, H, P and S series handles



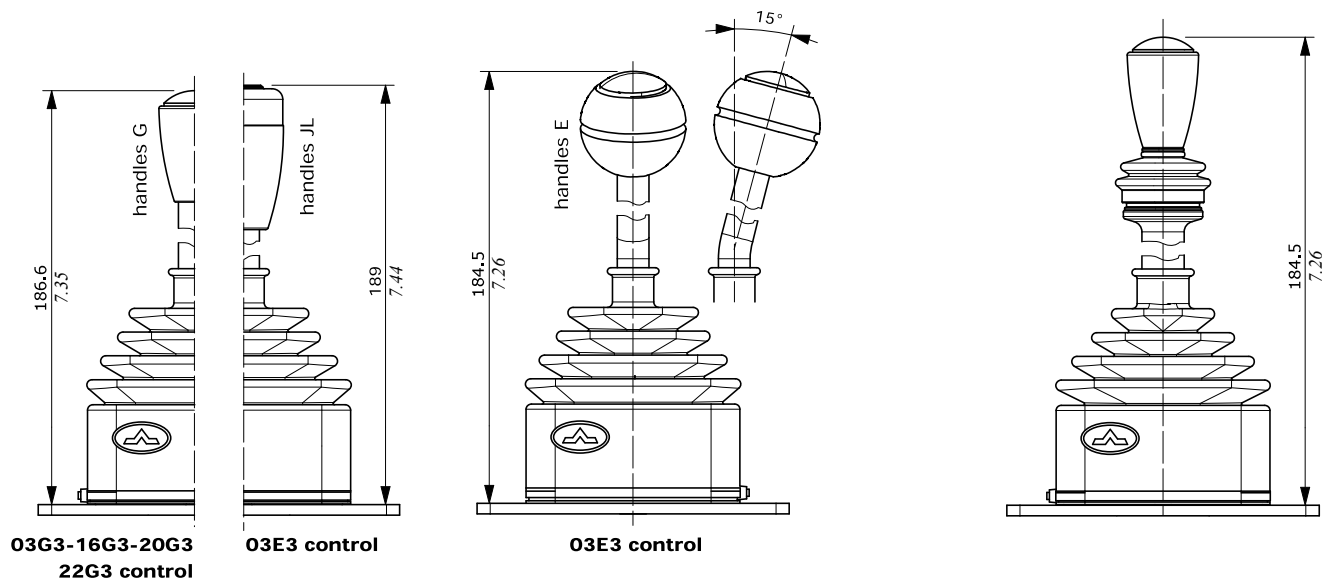
Controls with hand levers

Controls type

- 03G3:** With friction and neutral sensing, ogival with portlight, G knob
- 03E3:** As 03G3 control, E knob and 15° bending rod
- 03JL3:** As 03G3 control, L knob with operation microswitch
- 16G3:** With operation microswitch (NO), neutral sensing, spring return in neutral position, G knob
- 20G3:** Detent in position 1 and 2, friction, neutral sensing, G knob
- 22G3:** With operation microswitch (NO), friction, G knob

Controls type

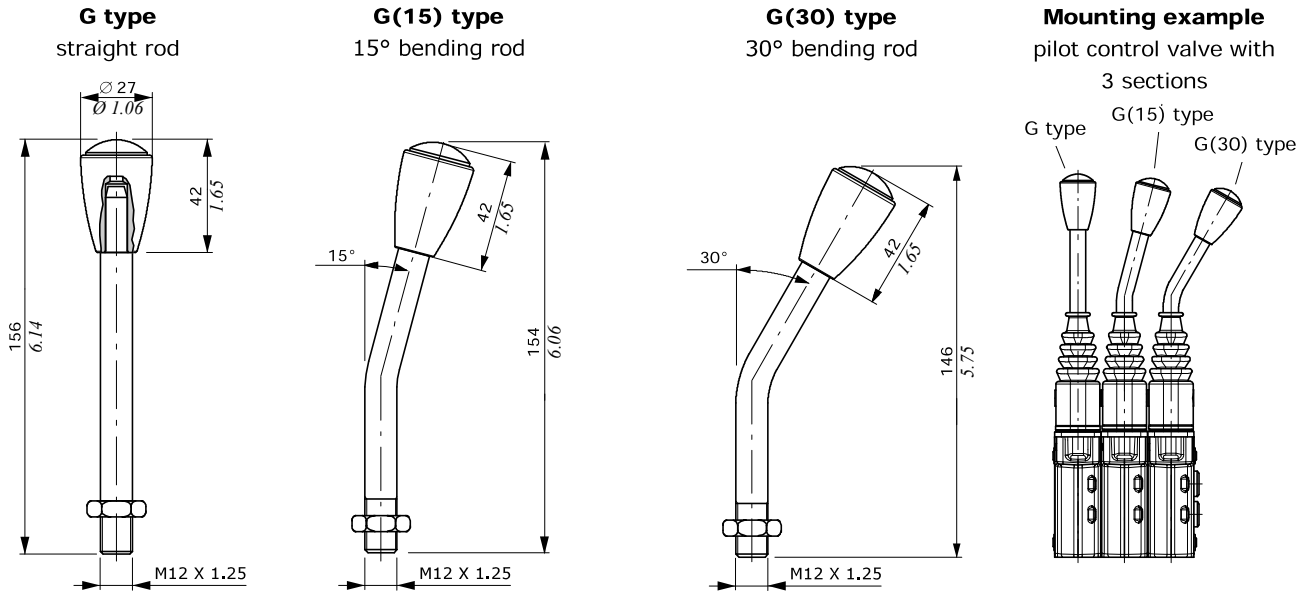
- 02G3:** With detent and spring return in neutral position, type G knob; can not be used on two adjacent sections
- 10G3:** With friction and detent in neutral position, G knob; can not be used on two adjacent sections
- 11G3:** Detent in 3 positions, G knob; can not be used on two adjacent sections



Standard hand levers without microswitch

G type

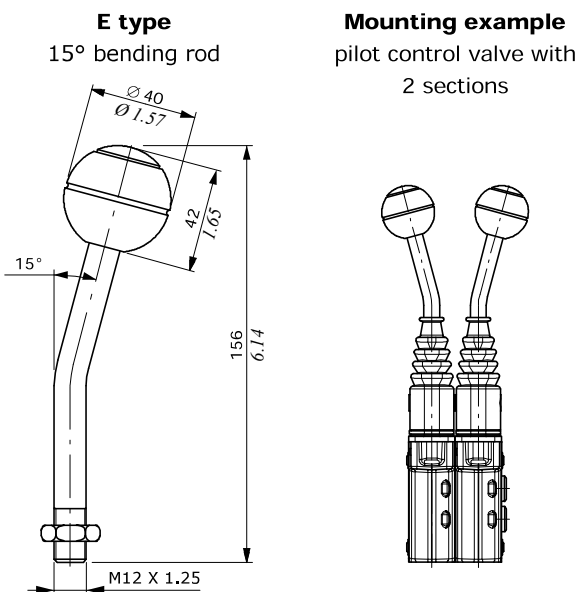
Ogival handles with customizable portlight. It's possible to insert labels with specific machine functions (for example: lifting function).



Standard hand levers with microswitch

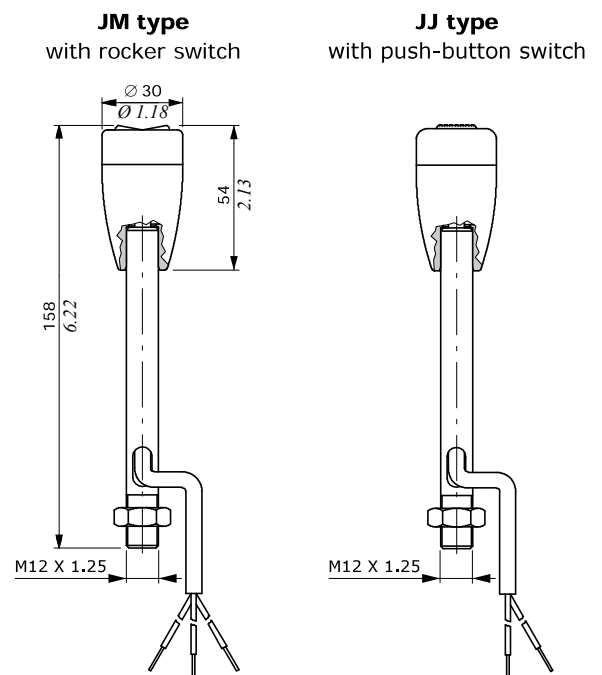
E type

Customizable handle as type G.



J type

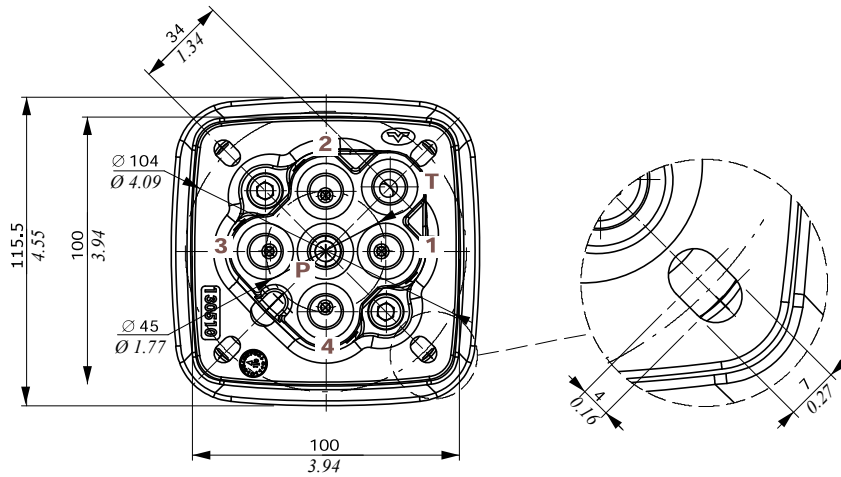
Ogival handle, small dimensions, available with rocker switch and push-button.



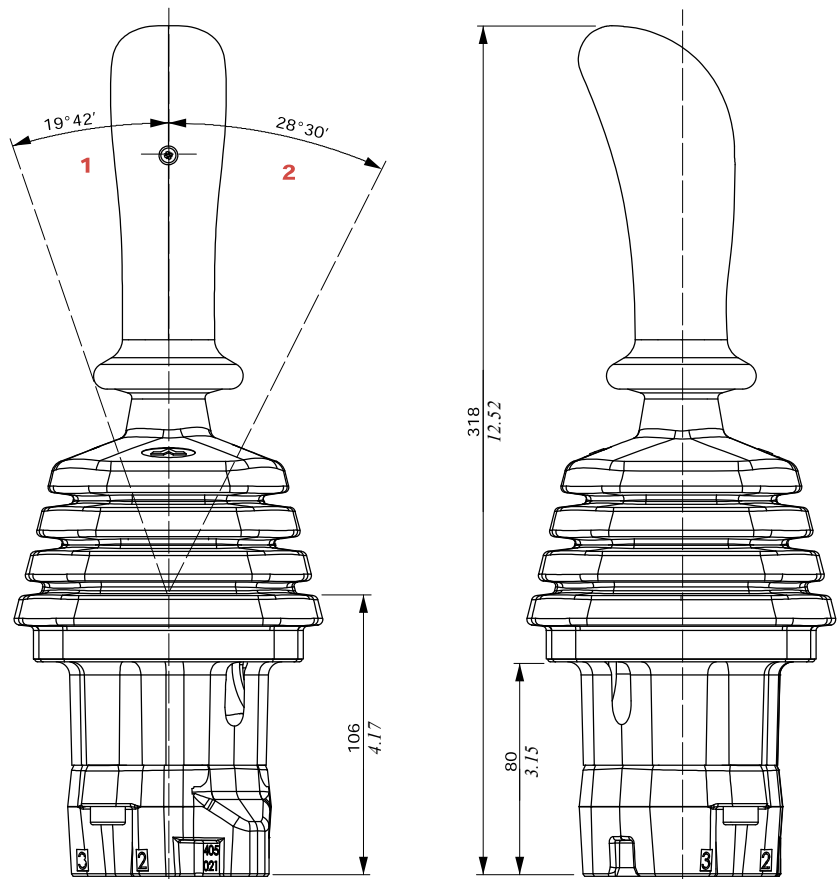
Note: for J Handle features see "handles and hand levers" catalog

Dimensions and hydraulic circuit

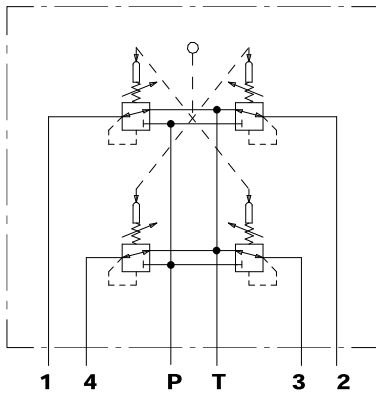
SVM400



NOTE: normally the pilot control valve is supplied with the handle oriented towards port nr. 4 (see page 20)



Hydraulic circuit



- 1 : Single work port
- 2 : Two simultaneous work ports